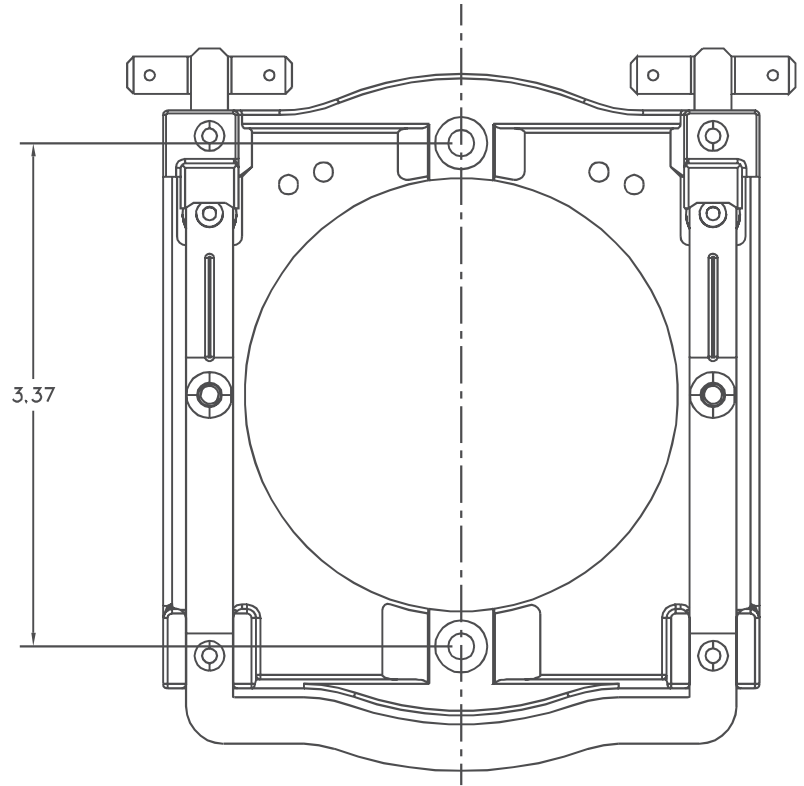
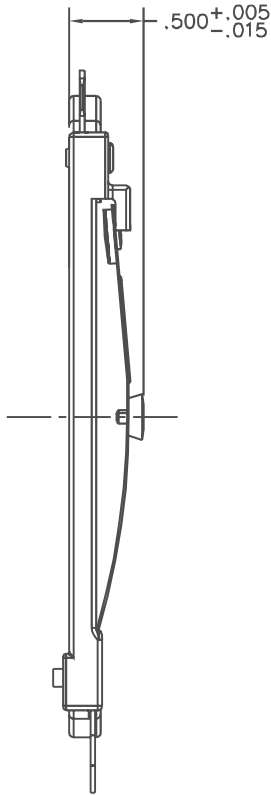


SP5172



DISTANCE SHOWN IS FROM ACTUAL MOUNTING SURFACE OF SWITCH

REV. DESC: ARM HEIGHT DIM WAS .500 (REF)		
REV. LTR: C	VERSION: 03	TDR: 000000454267
SP5172	FILE: \AAA\00143\235	REVISED: 16:25:56 04/04/2008
	MTL: -	BY: ENBRYPO

**BALDOR • DODGE • RELIANCE**

TORQ SWITCH SERIES 300 - MODEL 36/37

SH 1 of 1

SP5172